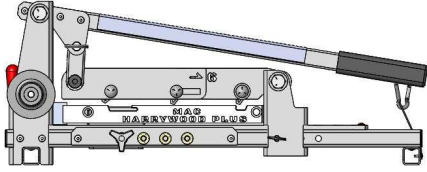


SIDING TOOLS INDUSTRIES

Specialist in siding tool development



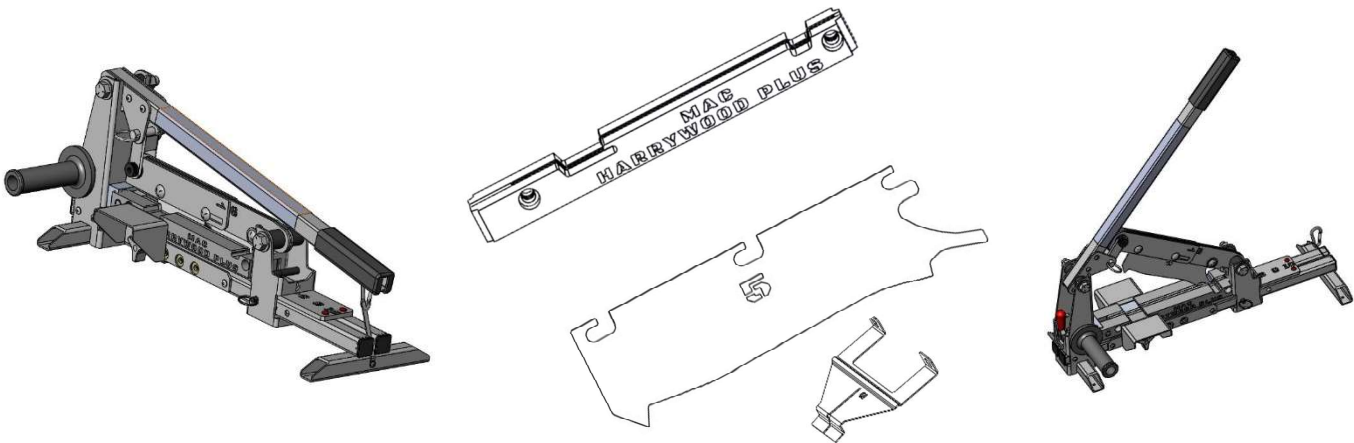
UKUT 8

We are proud to present this new UKUT8 tool. Designed to increase the efficiency and productivity of metal siding installers.

In this new tool concept, we've made a number of improvements

No tools required to change the matrix and the blade to switch between each profile;

- Quick change between each profile need to cut;
- Less than 2 minutes to change setup between profile;
- Quick toggle clamp to fix the matrix;
- Easy adjustment of the lateral guide with 1 knob, to align the profile with the matrix to obtain 90° cut;
- Adjustable system to 6'', 8'' and 10'' coverage profile, depending on required configuration;
- Stronger structure and mechanism;
- More comfortable handle to repetition cut;
- Engraved identification of each matrix with the profile example: HARRYWOOD + and the blade number, For easy operator recognition;
- UKUT8 weight is less than 20 pounds.



SIDING TOOLS INDUSTRIES

Specialist in siding tool development

Cutting profile changeover method

1- Pull the pivot pin



2- Turn the blade 180°, unscrew the 3 knobs and change the blade.



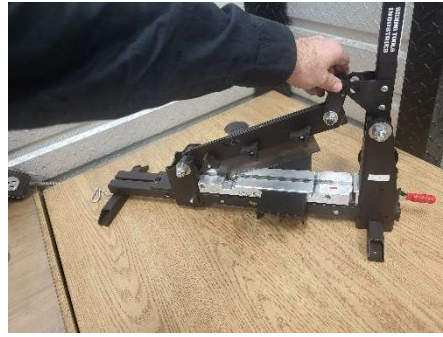
3- Pull the lever to unlock the matrix



4- Pull the lever to unlock the matrix and change for desired profile



5- Flip the blade and insert in the matrix



6- Inside the blade in the matrix and push the pivot pin in place



7- Close the cutter to insert the blade in the matrix to align it



8- Lift the lever to lock the matrix in place



You are ready to cut
the desired profile
Enjoy!